



Servo Softgel Machine

1. High productivity output for vegetable soft capsules(3rpm ↑)
2. Providing an additional Ethernet port and address mapping service to meet customer's SCADA communication system
3. Easy to change the filling volume on the touch screen (EFA)
4. Auto Gel Thickness control system included (AGT)
5. Easy attachable capsule striper

780SR

SPECIFICATION

Dimension: 2,636(L) x 1,196(W) x 2,418(H) mm

Weight: 1,800 KG

Electric Power: AC 220, 380, 440 V / 50, 60Hz / 3 Ph

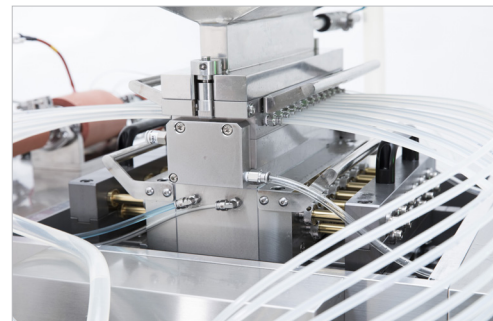
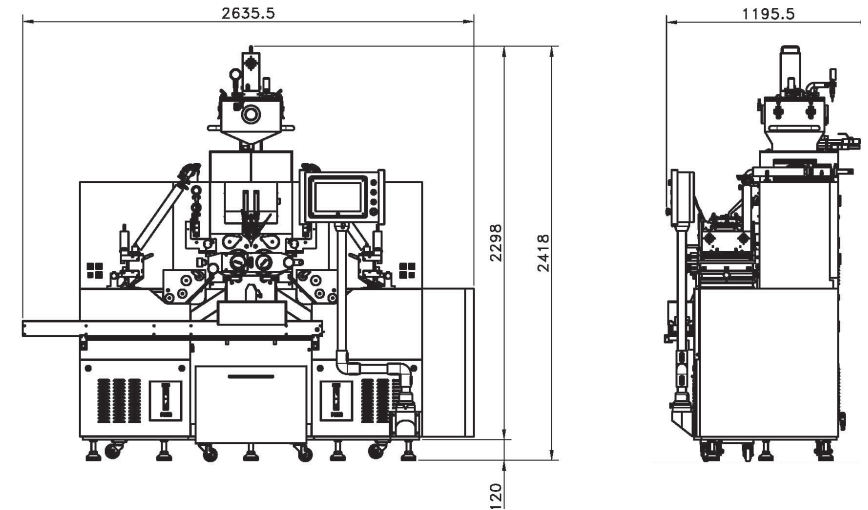
Power Consumption: 19 kW

Die Roll Speed: 5 rpm

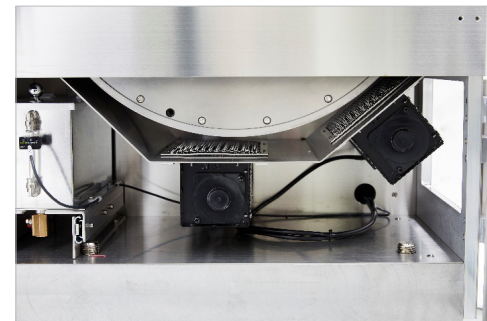
Compressed Air: 5 kg f/cm²

Die Roll Size: Ø150 x 290 mm

Productivity: AVG. 81,600 caps/hr at 5 rpm (Ob#20)



Medicine Filling Pump



Casting Drum



Ribbon extruder