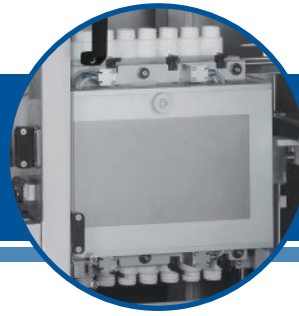




BOTTLE UNSCRAMBLER & AIR RINSER CVC 1263



The CVC 1263 Bottle Unscrambler and Air Rinser is designed to automatically feed bottles from a bin and place them upright onto a conveyor, bottles are gripped with gripper and inverted by 180 degrees for air rinse with vacuum at speed of up to 80 bottles per minute. The CVC 1263 is built on a Siemens control system including a user-friendly HMI panel and easy to fit into a variety of bottle packaging lines.

STANDARD FEATURES

- Display touchscreen instruction for machine operation is available in two languages
- Hopper bin
- Bottle sorting starwheel
- Inverted bottle air rinse
- Interlocked safety guarding
- Low level hopper sensor
- Bottle backlog sensor at outfeed
- Type 304 stainless steel bin, frame, enclosure panels
- Type 316L stainless steel air rinse nozzles
- CE standard PC safety guard
- ISO 9001:2015 certified



CVC 1263 Technical Specifications

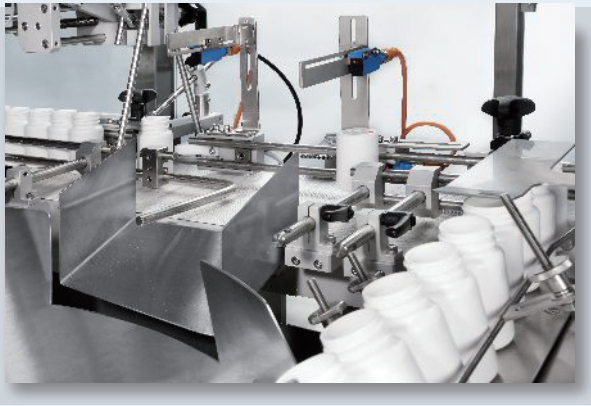
Type	U4
Productivity	Up to 60-80 BPM (base on 40-100 cc round bottle, subject to trial confirmation)
Applicable Size	Bottle Dia.: Ø30-80 mm (1 1/4" to 3 1/4") Bottle Height: 50-150 mm (2" to 6") Min. Container Dia./ Height: 1: 1.5
Hopper Capacity	155 L (5.5 Cuft)
Ionized Air Rinser	N/A
Air Filter Efficiency	0.01 µm (99.99 %)
Power Source	220 V, 50/60 HZ, 1 PH
Power Consumption	1,700 VA (7.8 A) (when equipped with Air Rinse & Vacuum)
Air Pressure	6 bar (87 psi)
Air Consumption	1,300 NL/min (46 CFM) (when equipped with Air Rinse Assembly)
Machine Dimensions (L x W x H)	1,635 x 1,475 x 1,970 mm (approx) [5'-4" x 4'-10" x 6'-6"]
Machine Weight	700 kg (1,543 lbs)
Noise Level	≤ 78 dB

Technical data contained in this material are not binding and may be subject to change without prior notice.

TECHNICAL SPECIFICATIONS

AVAILABLE OPTIONS

- Ionized air rinse
- Vacuum block detection assembly
- Upside down bottle, fallen bottle reject assembly
- 21CFR Part 11 compliance
- OPC UA for data collection
- Conveyor
- 3-color stack light
- Bottle format changeover parts



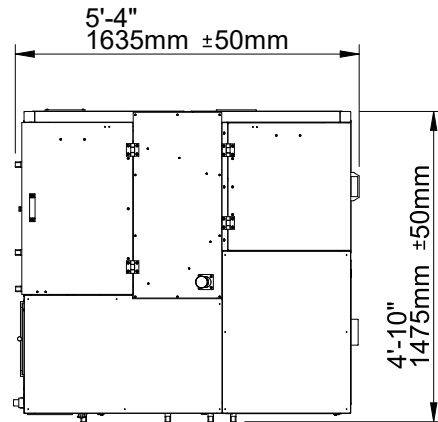
REJECT STATION



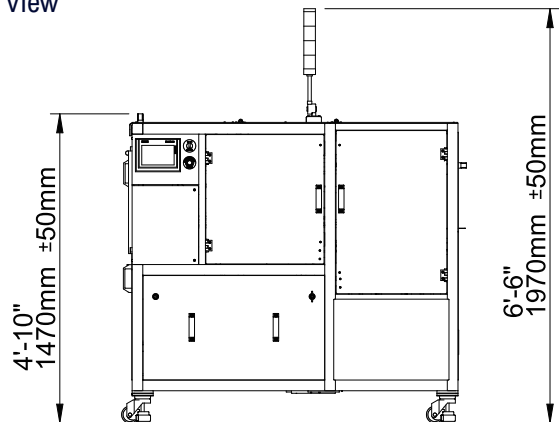
AIR RINSE STATION

MACHINE LAYOUTS

Top View



Front View



The dimensions shown are for standard machine. Optional conveyor can be offered based on selected options. This machine can run independently or be integrated into an automated packaging line. All CVC equipment is covered by a one-year warranty. Full Warranty details are included in our equipment proposals.



CVC TECHNOLOGIES, INC.



Contact Us

USA

10861 Business Drive, Fontana, CA 92337
Phone: +1 (909) 355-0311
www.cvcusa.com ; www.cvctechnologies.com
sales@cvcusa.com

Taiwan-Asia Pacific Headquarters

Phone: +886 (4) 2496-3666
sales@cvctechologies.com

India

Phone: +91 (22) 2562-1242, +91 (22) 2562-1243
sales@cvctechologies.com

China

Phone: +86 (512) 8363-6368
sales@cvctechologies.com